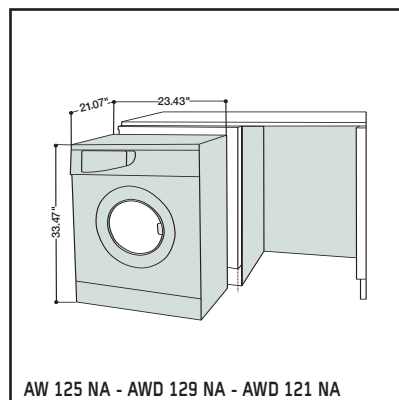
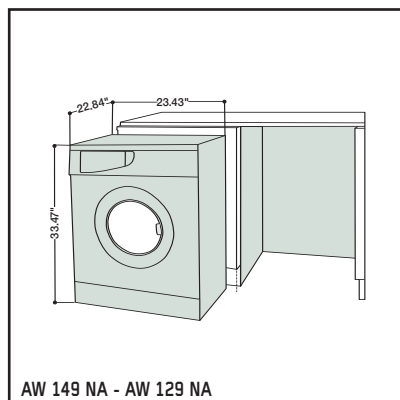


Technical Charts | Washers and Combination washer-dryers

Model	AW 149 NA	AW 129 NA	AW 125 NA	AWD 129 NA	AWD 121 NA
Product Line	washing machine	washing machine	washing machine	combo washer/dryer	combo washer/dryer
Color	platinum	platinum	platinum	platinum	white
Performances					
Energy test washing capacity	15 lbs / 7.0 kgs	15 lbs / 7.0 kgs	12 lbs / 5.5 kgs	12 lbs / 5.5 kgs	12 lbs / 5.5 kgs
Energy test drying capacity				8 lbs / 3.6 kgs	8 lbs / 3.6 kgs
Maximum washing load	16 lbs / 7.5 kgs	16 lbs / 7.5 kgs	13 lbs / 6.0 kgs	13 lbs / 6.0 kgs	13 lbs / 6.0 kgs
Energyguide	189 kWh/year	189 kWh/year	176 kWh/year	176 kWh/year	176 kWh/year
Heating Element	1000 W	1000 W		1300 W	1300 W
Approval	UL / CUL	UL / CUL	UL / CUL	UL / CUL	UL / CUL
Primary Functions					
Sanitary Wash	▪	▪			
Cotton Wash	Heavy, Regular, Light	Heavy, Regular, Light	Heavy, Regular, Light	Heavy, Regular, Light	Heavy, Regular, Light
Permanent Press Wash	Heavy, Regular, Light	Heavy, Regular, Light	Heavy, Regular, Light	Heavy, Regular, Light	Heavy, Regular, Light
Delicates Wash	Delicates, Silk, Wool	Delicates, Silk, Wool	Delicates, Silk, Wool	Delicates, Silk, Wool	Delicates, Silk, Wool
Daily Wash	▪	▪	▪		
Variable temperature	▪	▪	▪	▪	▪
Variable drying time					▪
Variable spin speed	Up to 1400 rpm	Up to 1200 rpm	Up to 1200 rpm	Up to 1200 rpm	Up to 1200 rpm
Additional Options					
Super Wash	▪	▪	▪		
Pre-Wash	▪	▪	▪	▪	▪
Easy Iron	▪	▪	▪	▪	▪
Delay Timer	▪	▪	▪	▪	▪
Extra Rinse	▪	▪	▪	▪	▪
Soaking	▪	▪	▪		
Bleach Stain Removal Program			▪	▪	▪
Dimensions					
Product only (HxWxD)	850mm x 595mm x 580mm 33.47" x 23.43" x 22.84"	850mm x 595mm x 580mm 33.47" x 23.43" x 22.84"	850mm x 595mm x 535mm 33.47" x 23.43" x 21.07"	850mm x 595mm x 535mm 33.47" x 23.43" x 21.07"	850mm x 595mm x 535mm 33.47" x 23.43" x 21.07"
Product with packaging (HxWxD)	910mm x 635mm x 615mm 35.83" x 25.00" x 24.22"	910mm x 635mm x 615mm 35.83" x 25.00" x 24.22"	910mm x 635mm x 595mm 35.83" x 25.00" x 23.43"	910mm x 635mm x 595mm 35.83" x 25.00" x 23.43"	910mm x 635mm x 595mm 35.83" x 25.00" x 23.43"
Door opening	13"	13"	13"	13"	13"
Weight					
Product only	158.7 lbs / 72.0 kg	158.7 lbs / 72.0 kg	145.5 lbs / 66.0 kg	137.3 lbs / 62.3 kg	137.3 lbs / 62.3 kg
Product with packaging	162.1 lbs / 73.5 kg	162.1 lbs / 73.5 kg	149.7 lbs / 67.9 kg	141.5 lbs / 64.2 kg	141.5 lbs / 64.2 kg
Technical Data					
Voltage / Frequency	120 volts / 60 hz	120 volts / 60 hz	120 volts / 60 hz	120 volts / 60 hz	120 volts / 60 hz
Amperage / Wire	11 Amps / 3 prong plug	11 Amps / 3 prong plug	11 Amps / 3 prong plug	13 Amps / 3 prong plug	13 Amps / 3 prong plug
Cable length	6 ft. / 1.8 mts	6 ft. / 1.8 mts	6 ft. / 1.8 mts	6 ft. / 1.8 mts	6 ft. / 1.8 mts
Motor	Triphase (quiet)	Triphase (quiet)	Triphase (quiet)	Collector	Collector
Detergent recovery system	▪	▪	▪	▪	▪
Antifoam protection	▪	▪	▪	▪	▪
Overflow / Flood protection	▪	▪	▪	▪	▪
Tub & Drum	Poliplex / Stainless Steel	Poliplex / Stainless Steel	Stainless Steel	Stainless Steel	Stainless Steel
Adjustable feet	4	4	4	4	4
Suspension System	2 springs / 2 dampers	2 springs / 2 dampers	2 springs / 2 dampers	2 springs / 2 dampers	2 springs / 2 dampers
Accessories					
Instruction Manual	English, Spanish, French	English, Spanish, French	English, Spanish, French	English, Spanish, French	English, Spanish, French
Connection hoses	included	included	included	included	included

(*) Certain limitation apply, see manufacturers limited warranty for details
Ariston reserves the right to bring changes to the products without notice.
UL and CUL listed



For planning purposes only,
for details see care & use manual
Staked installation Height 67"